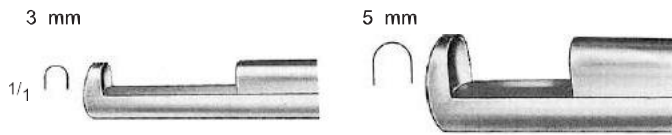


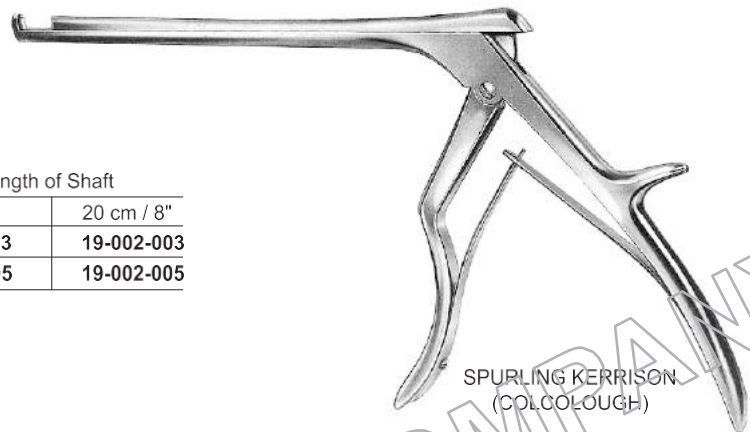
NEUROSURGERY



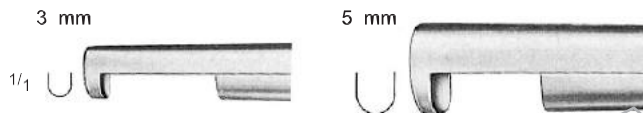
Intervertebral Disc Rongeurs



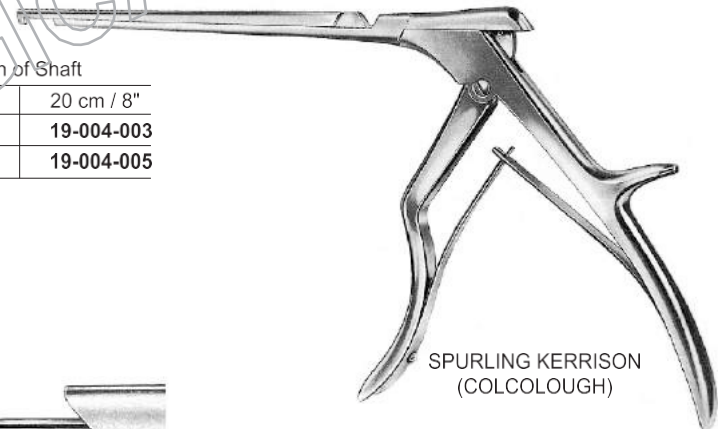
	Length of Shaft	
	15 cm / 6"	20 cm / 8"
Jaws 3 mm wide	19-001-003	19-002-003
Jaws 5 mm wide	19-001-005	19-002-005



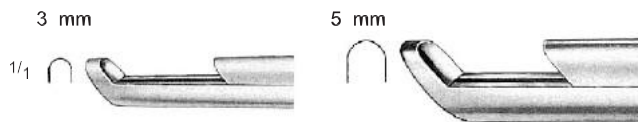
SPURLING KERRISON
(COLCOLOUGH)



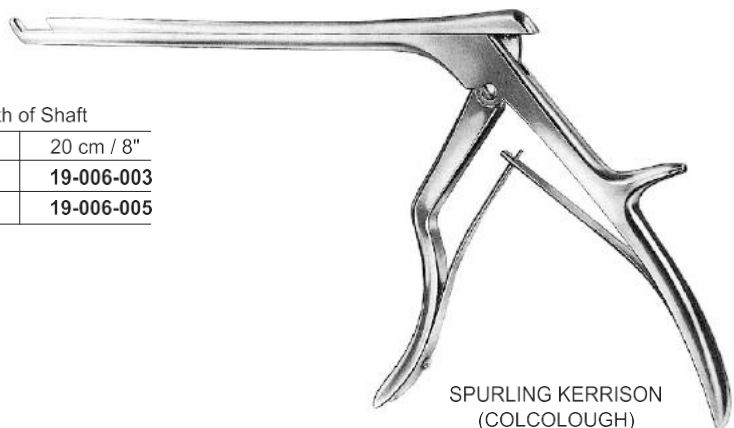
	Length of Shaft	
	15 cm / 6"	20 cm / 8"
Jaws 3 mm wide	19-003-003	19-004-003
Jaws 5 mm wide	19-003-005	19-004-005



SPURLING KERRISON
(COLCOLOUGH)

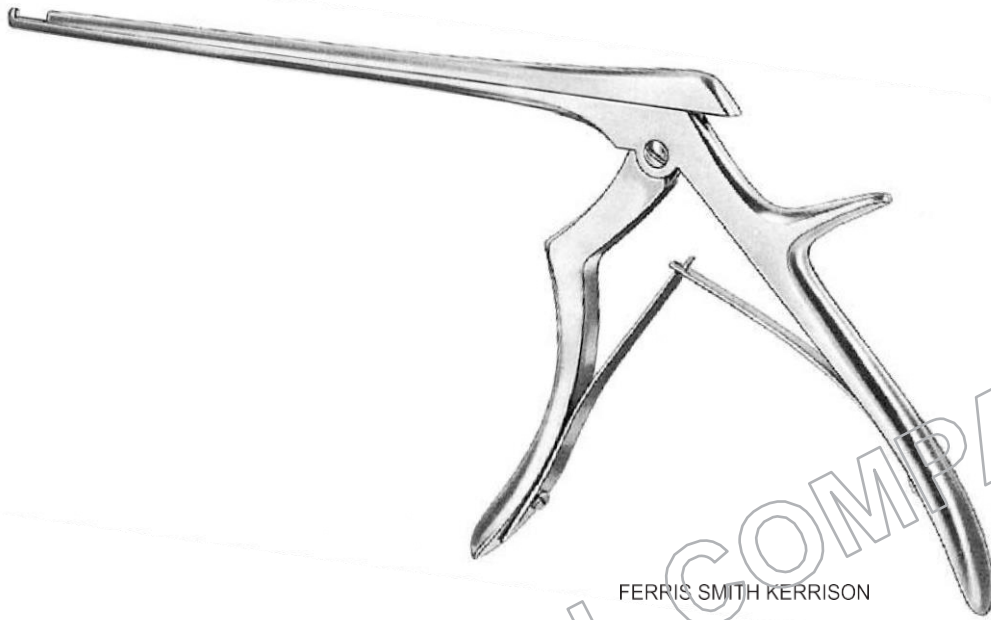


	Length of Shaft	
	15 cm / 6"	20 cm / 8"
Jaws 3 mm wide	19-005-003	19-006-003
Jaws 5 mm wide	19-005-005	19-006-005

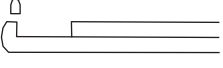


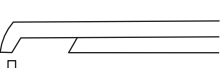



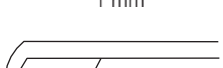
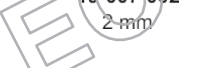
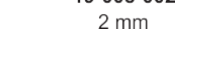
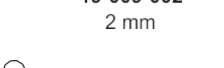
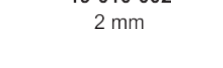
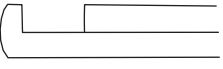
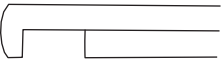
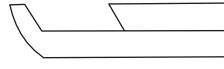
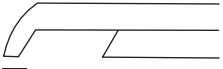
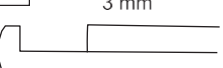
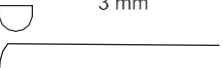

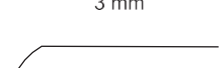
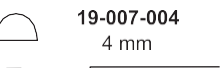
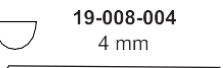
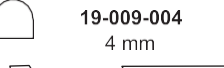
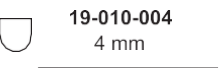


SPURLING KERRISON
(COLCOLOUGH)

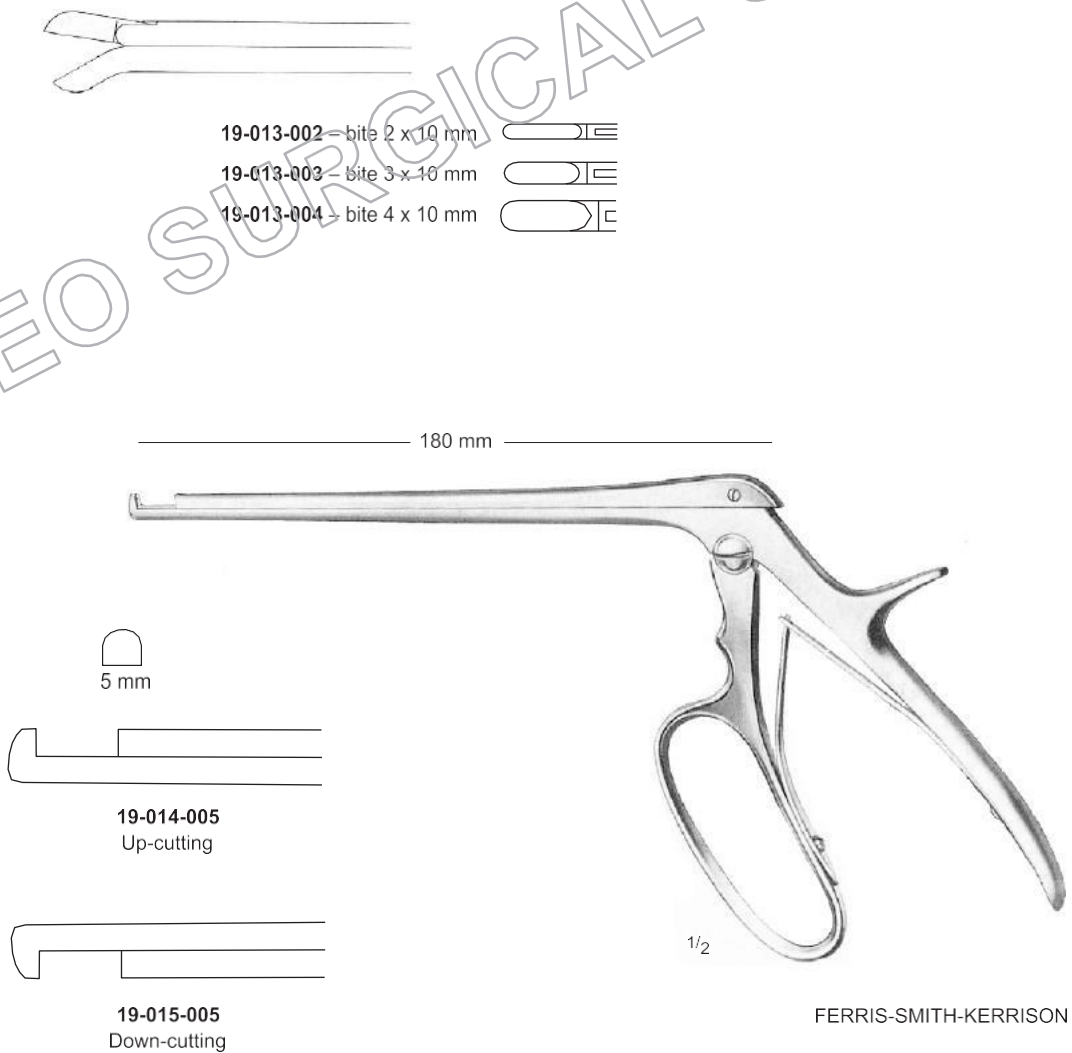
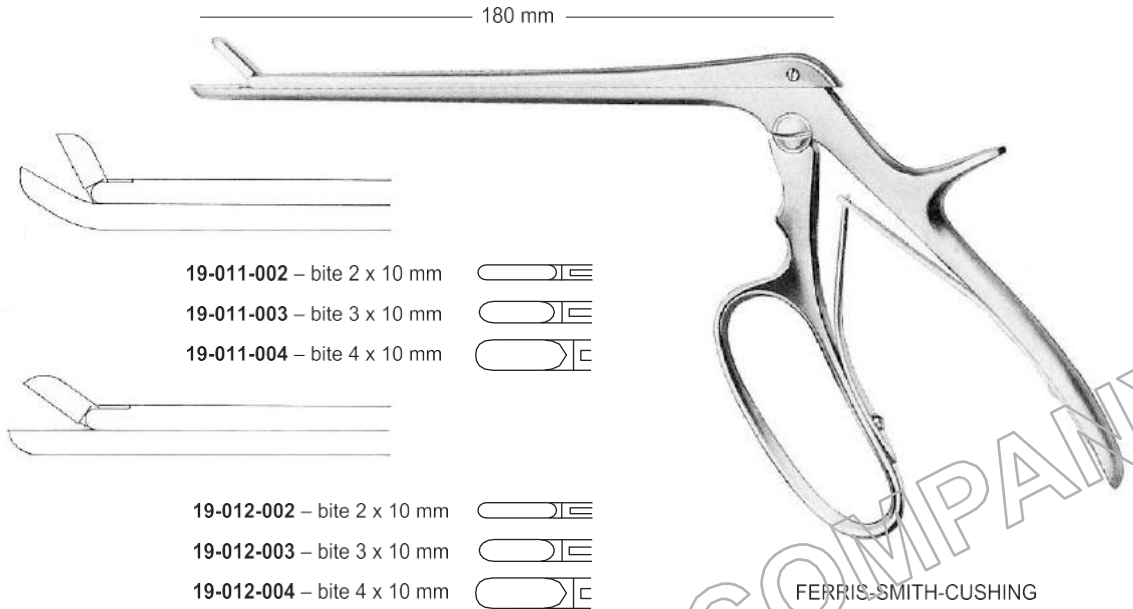
Intervertebral Disc Rongeurs



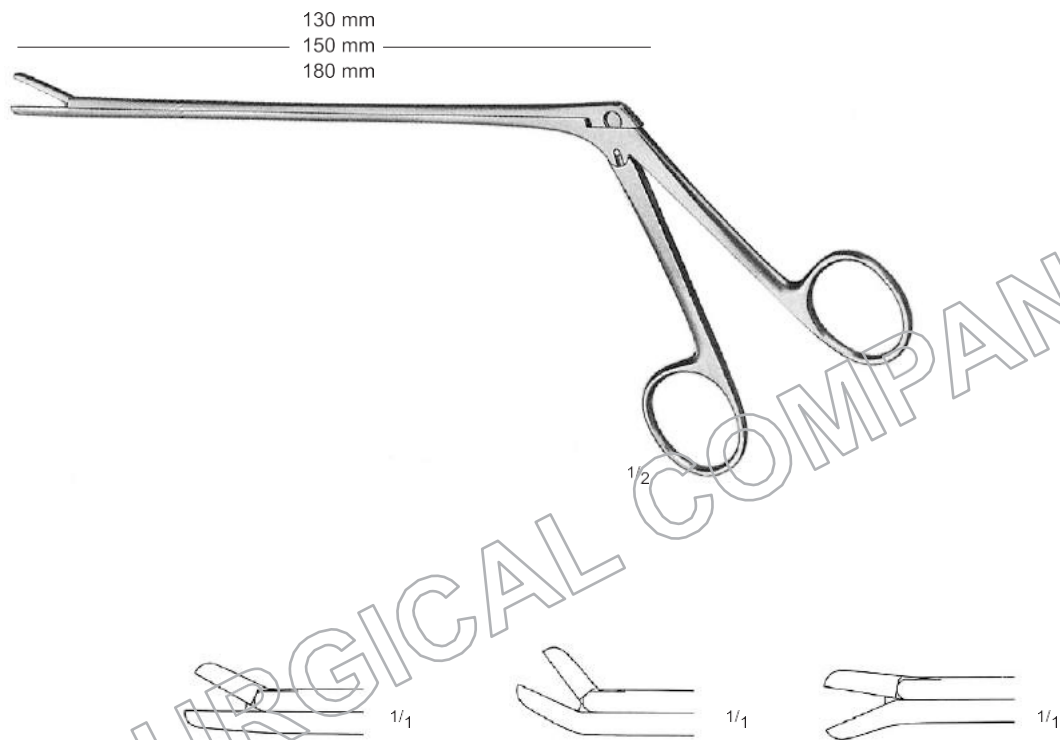
FERRIS SMITH KERRISON



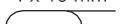
Upwards Cutting	Downwards Cutting	45° Upwards Cutting	45° Downward Cutting
 19-007-001 1 mm	 19-008-001 1 mm	 19-009-001 1 mm	 19-010-001 1 mm
 19-007-002 2 mm	 19-008-002 2 mm	 19-009-002 2 mm	 19-010-002 2 mm
 19-007-003 3 mm	 19-008-003 3 mm	 19-009-003 3 mm	 19-010-003 3 mm
 19-007-004 4 mm	 19-008-004 4 mm	 19-009-004 4 mm	 19-010-004 4 mm
 19-007-005 5 mm	 19-008-005 5 mm	 19-009-005 5 mm	 19-010-005 5 mm
 19-007-006 6 mm	 19-009-006 6 mm	 19-009-006 6 mm	 19-010-006 6 mm

Antrum Punch Forceps

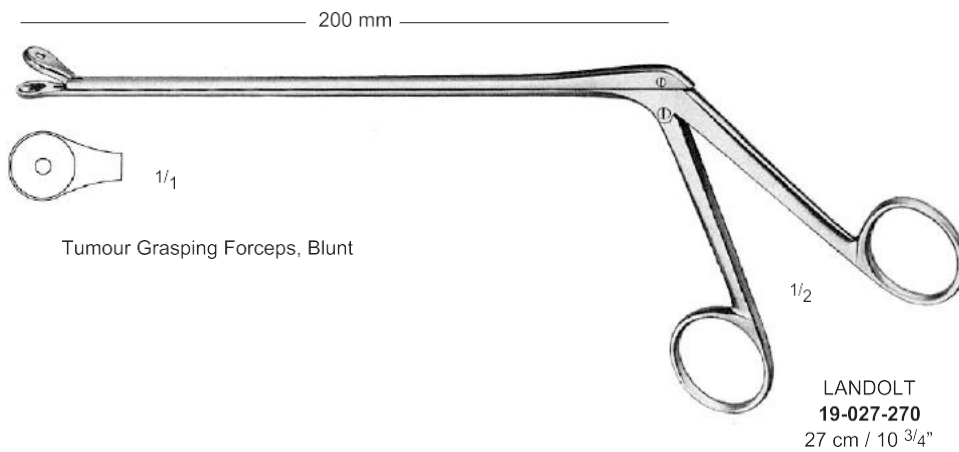
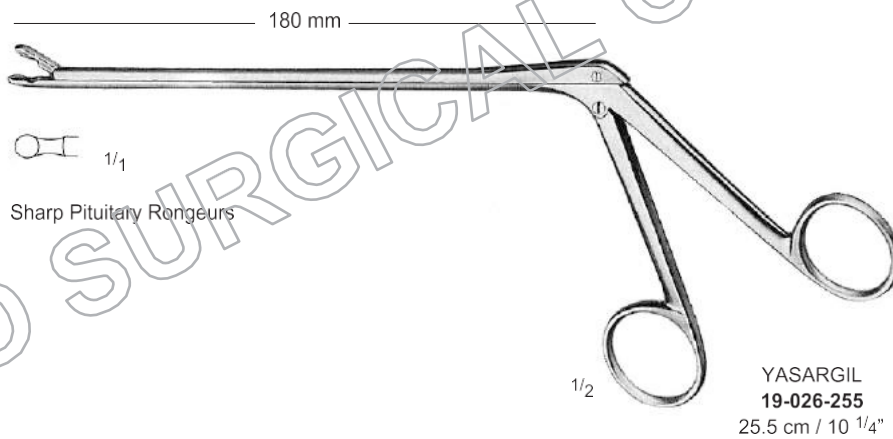
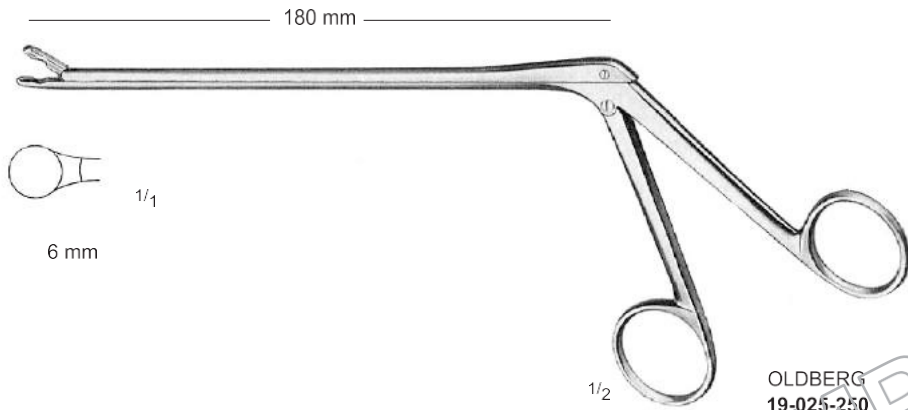


Laminectomy Rongeurs

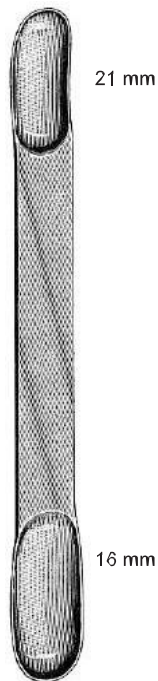


	Shaft Size	Straight	Upward	Downwards
CUSHING 2 x 10 mm 	13.0 cm / 5" 15.0 cm / 6" 18.0 cm / 7"	19-016-130 19-016-150 19-016-180	19-019-130 19-019-150 19-019-180	19-022-130 19-022-150 19-022-180
LOVE-GRUENWALD 3 x 10 mm 	13.0 cm / 5" 15.0 cm / 6" 18.0 cm / 7"	19-017-130 19-017-150 19-017-180	19-020-130 19-020-150 19-020-180	19-023-130 19-023-150 19-023-180
SPURLING 4 x 10 mm 	13.0 cm / 5" 15.0 cm / 6" 18.0 cm / 7"	19-018-130 19-018-150 19-018-180	19-021-130 19-021-150 19-021-180	19-024-130 19-024-150 19-024-180

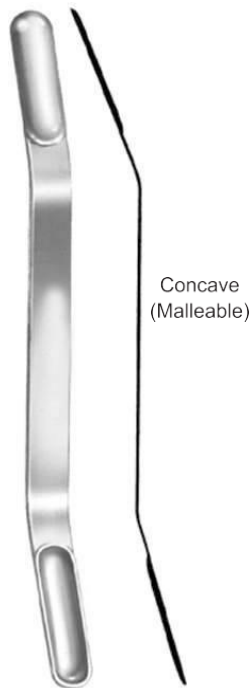
Laminectomy Rongeurs



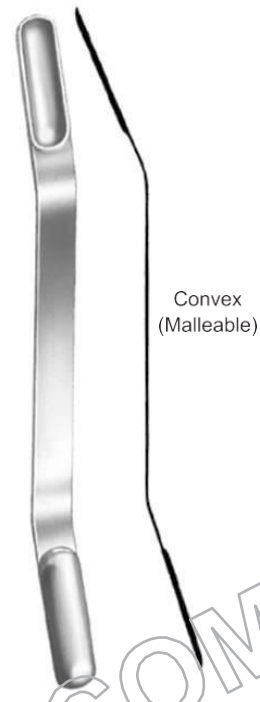
Brain Spatulas, Dura Dissectors



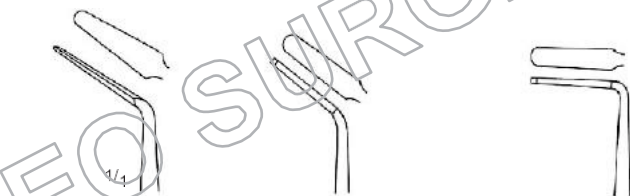
CUSHING
19-028-170 – 17 cm / 6³/₄"
19-028-200 – 20 cm / 8"



OILVECRONA
18 cm (7 1/8")
19-029-001 – 7 + 9 mm
19-029-002 – 11 + 13 mm
19-029-003 – 15 + 18 mm
19-029-004 – 18 + 22 mm



OILVECRONA
18 cm (7 1/8")
19-030-001 – 7 + 9 mm
19-030-002 – 11 + 13 mm
19-030-003 – 15 + 18 mm
19-030-004 – 18 + 22 mm



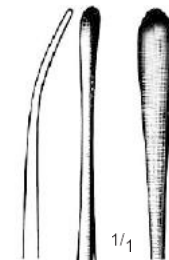
FRAZIER
19-031-150
15 cm / 6"



HOEN
19-032-150
15 cm / 6"

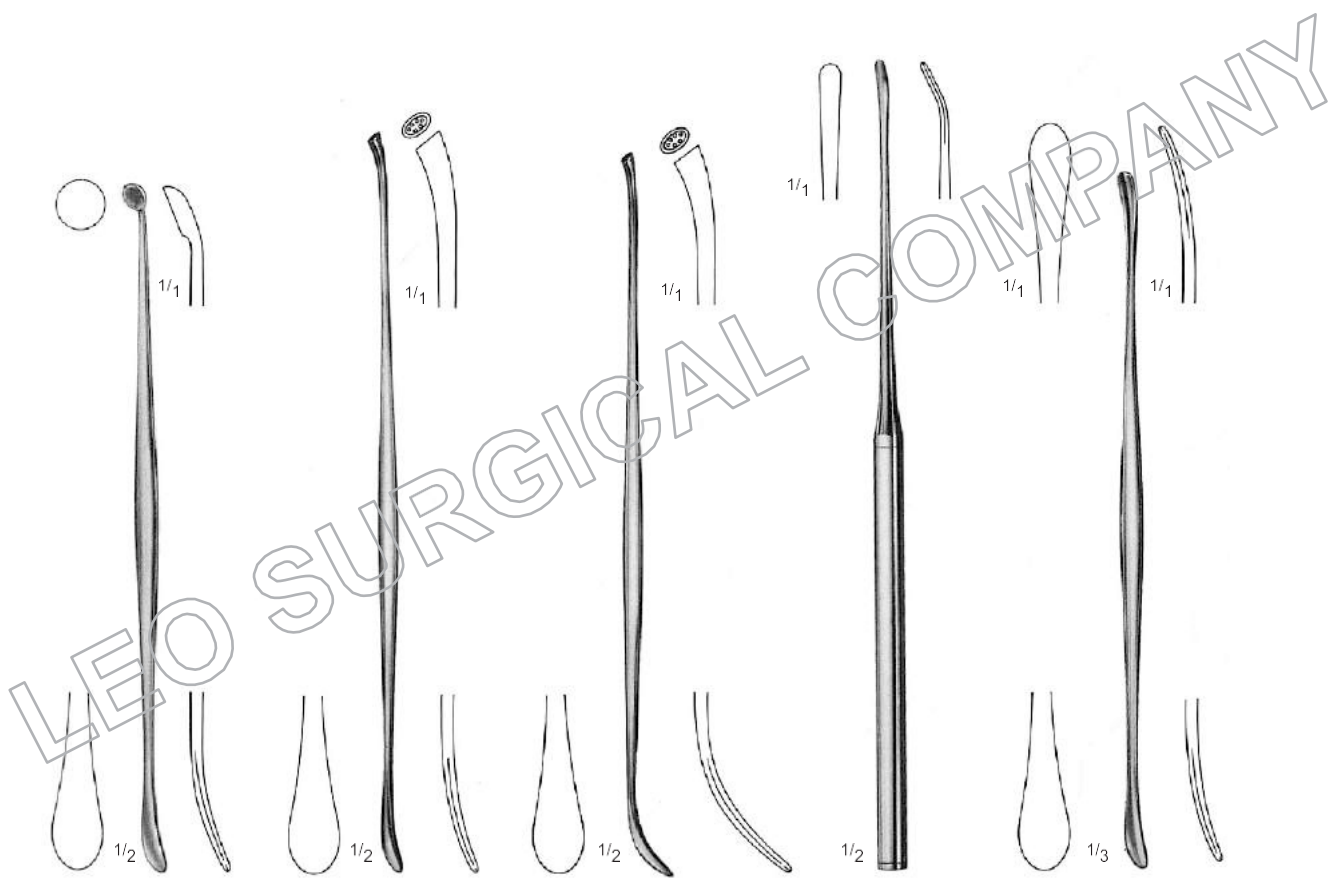


HOEN
19-033-150
15 cm / 6"



DAVIS
19-034-245
24.5 cm / 9 3/4"

Dura Dissectors



PENFIELD
 19-035-175
 Fig. 1
 17.5 cm / 7"

PENFIELD
 19-036-195
 Fig. 2
 19.5 cm / 7 3/4"

PENFIELD
 19-037-195
 Fig. 3
 19.5 cm / 7 3/4"

PENFIELD
 19-038-215
 Fig. 4
 21.5 cm / 8 1/2"

PENFIELD
 19-039-290
 Fig. 5
 29 cm / 11 1/2"

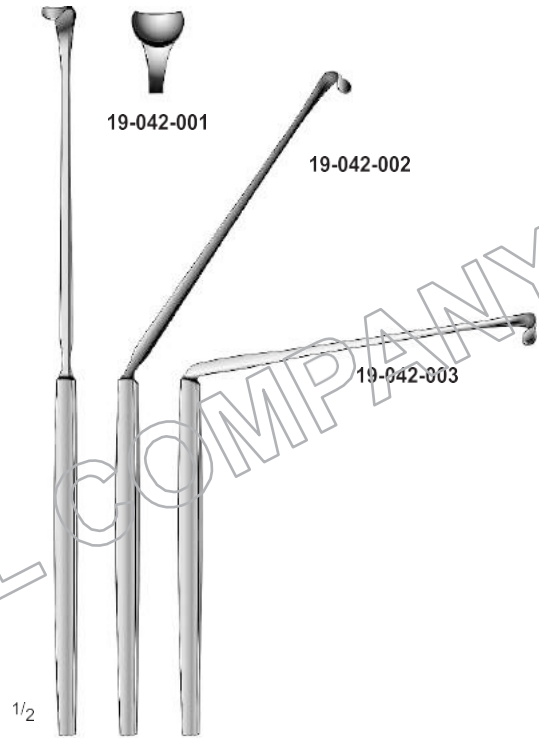
Nerve Root Retractors



SCOVILLE
 19-040-230
 23 cm / 9"



HOLSHER
 19-041-240
 24 cm / 9 1/2"

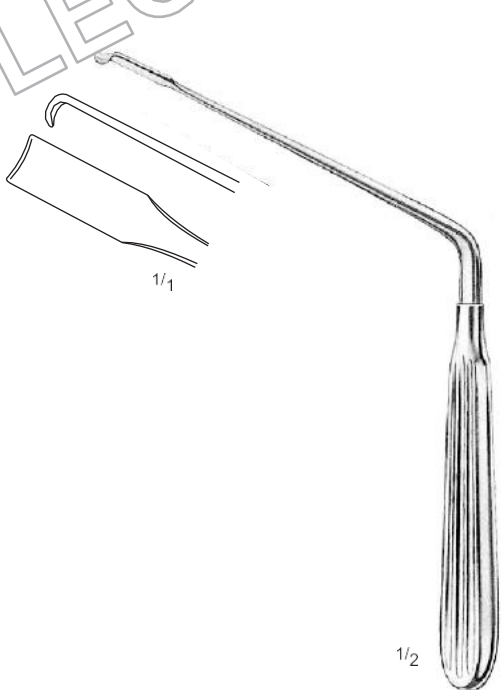


19-042-001

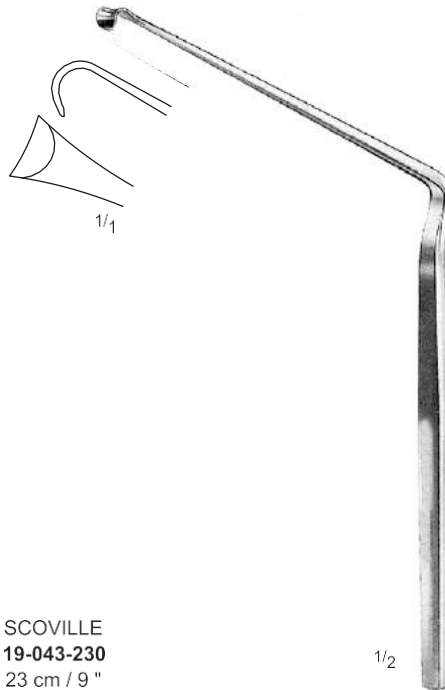
19-042-002

19-042-003

LOVE



SCOVILLE
 19-043-230
 23 cm / 9"

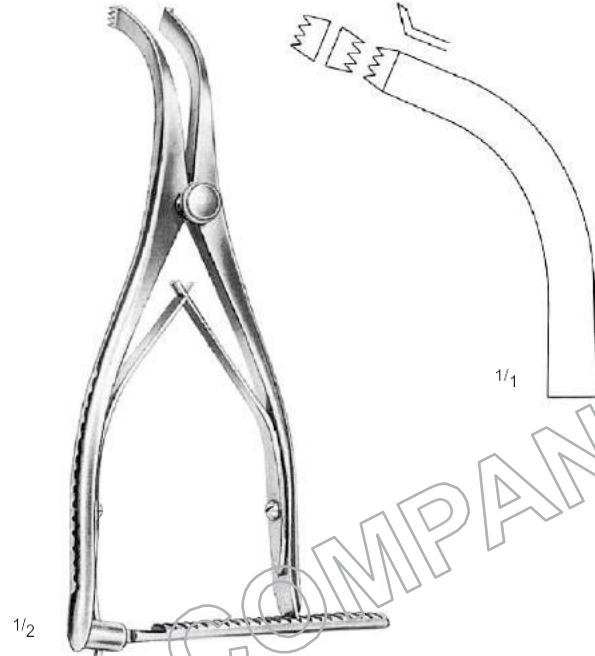


PROFESSIONAL
 19-044-210
 21 cm / 8 1/4"

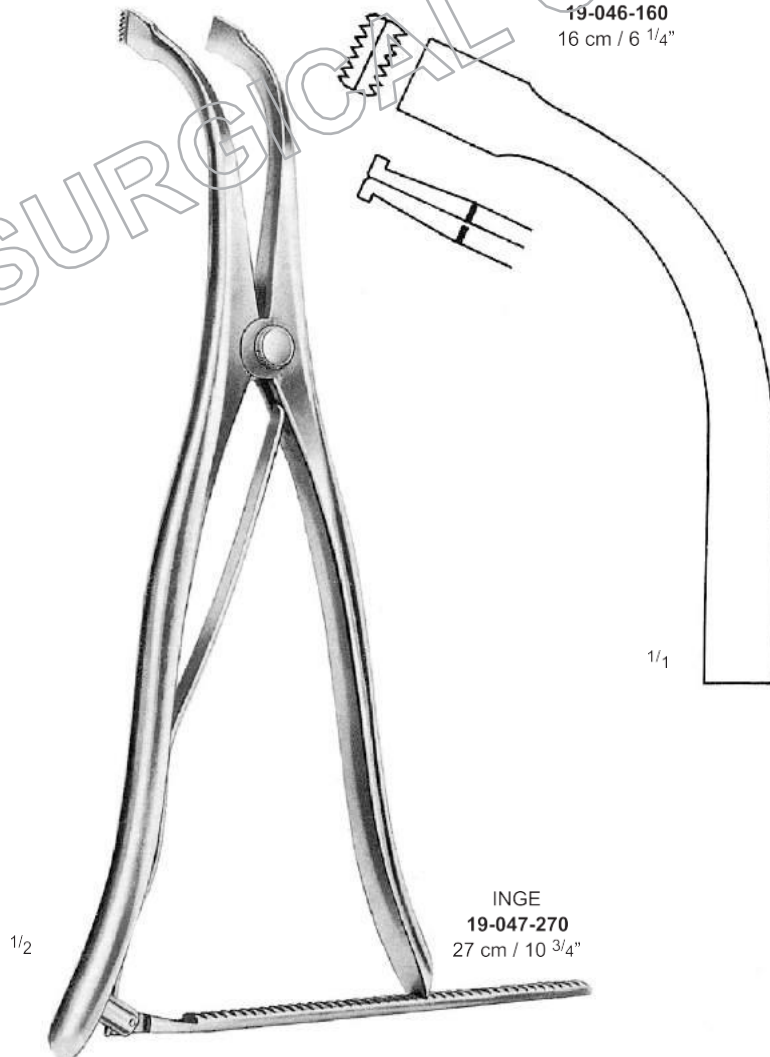
Lamina Spreaders



CLOWARD
19-045-160
16 cm / 6 1/4"



INGE
19-046-160
16 cm / 6 1/4"



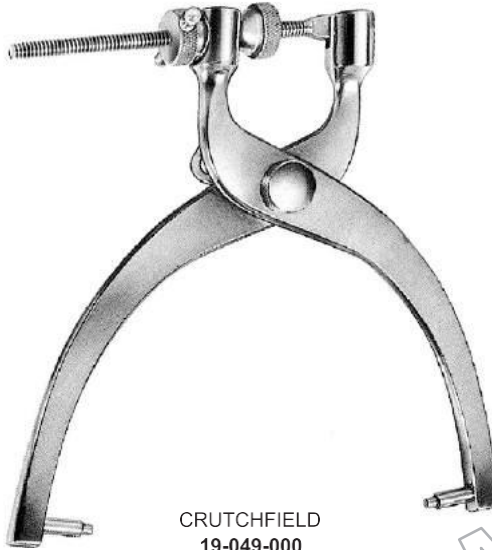
INGE
19-047-270
27 cm / 10 3/4"

LEO SURGICAL COMPANY

Traction Tongs, Cranial Drills



CRUTCHFIELD
 19-048-000



CRUTCHFIELD
 19-049-000



19-050-035
 ø 3.5 mm



19-051-005
 ø 5 mm



EXTENSION PIECE
 ONLY
 19-052-000



19-053-009
 ø 9 mm



19-053-014
 ø 14 mm



19-053-016
 ø 16 mm



19-053-022
 ø 22 mm



BRACE ONLY
 19-054-000

HUDSON
 Cranial Drill
 Complete with 4
 burs No.,



CUSHING
 19-055-013
 ø 13 mm

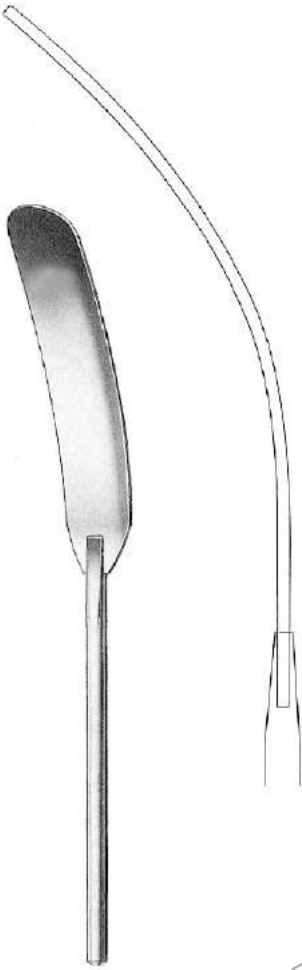


McKENZIE
 19-056-013
 ø 13 mm

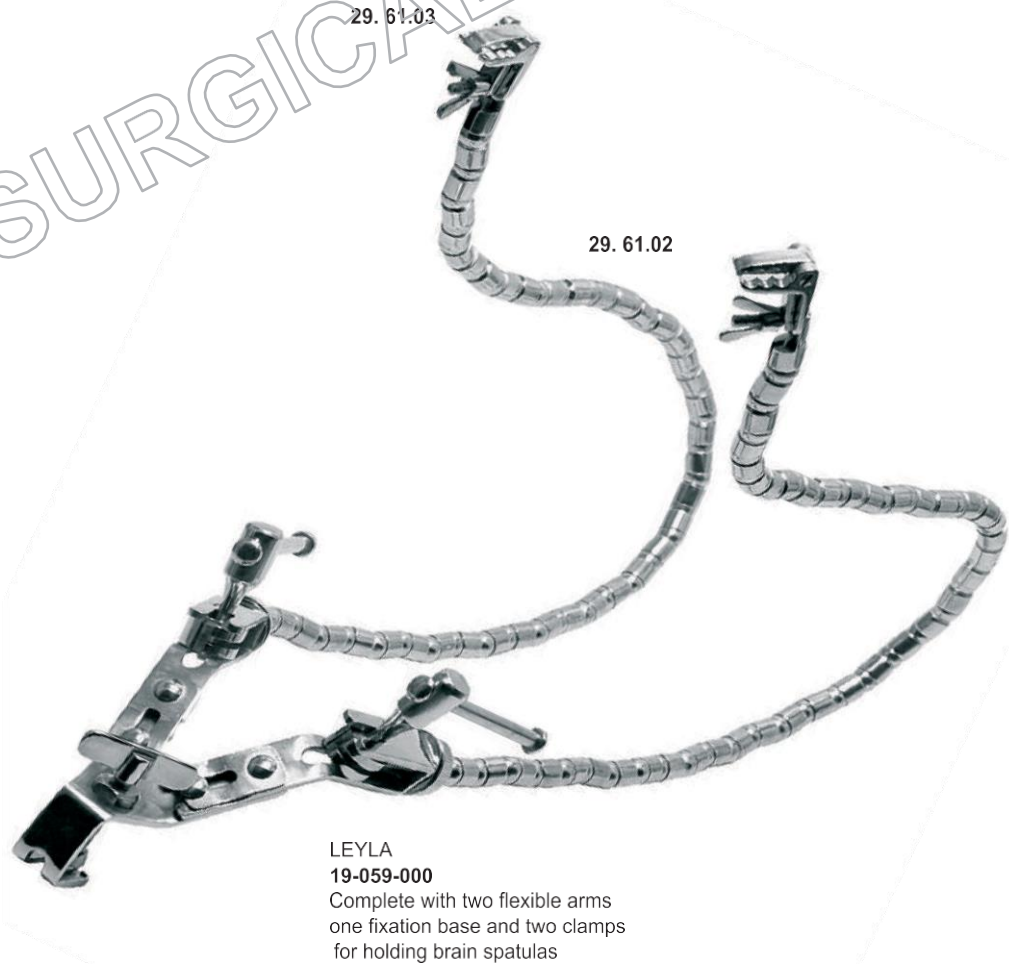


D'ERRICO
 19-057-016
 ø 16 mm

Brain Retractors, Spatulas



HEIFETZ
20 cm / 8"
19-058-008 8 mm
19-058-011 11 mm
19-058-014 14 mm
19-058-017 17 mm
19-058-020 20 mm



LEYLA
19-059-000
Complete with two flexible arms
one fixation base and two clamps
for holding brain spatulas