

STERILIZATION



Sterilizing Forceps, Holders, Drums



CHEATTLE
17-001-270
27 cm / 10 1/2"

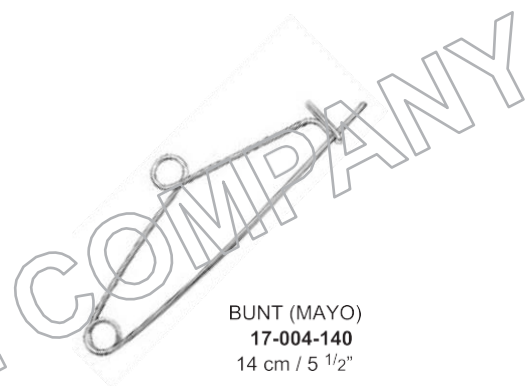


17-002-200 – 20 cm / 8"
17-002-300 – 30 cm / 12"



with ball stop

BUNT (MAYO)
17-003-140
14 cm / 5 1/2"



BUNT (MAYO)
17-004-140
14 cm / 5 1/2"



Horizontal
Ventilation

SCHIMMELBUSCH

	ø	h
17-005-001	14	x 14
17-005-002	16	x 15
17-005-003	19	x 16
17-005-004	19	x 19
17-005-005	24	x 12
17-005-006	24	x 16
17-005-006	24	x 24
17-005-007	29	x 16
17-005-008	29	x 24
17-005-009	34	x 16
17-005-010	34	x 24
17-005-011	39	x 14
17-005-012	39	x 19
17-005-013	39	x 29



Vertical
Ventilation

KONRICH

	ø	h
17-006-001	14	x 14
17-006-002	16	x 15
17-006-003	19	x 16
17-006-004	19	x 19
17-006-005	24	x 12
17-006-006	24	x 16
17-006-007	24	x 24
17-006-008	29	x 16
17-006-009	29	x 24
17-006-010	34	x 16
17-006-011	34	x 24
17-006-012	39	x 14
17-006-013	39	x 19
17-006-014	39	x 29

Instrument Trays

	L	W	D
17-007-001	150 x	100 x	25 mm
17-007-002	200 x	150 x	38 mm
17-007-003	250 x	200 x	50 mm
17-007-004	300 x	250 x	50 mm
17-007-005	355 x	305 x	50 mm
17-007-006	405 x	305 x	50 mm
17-007-007	455 x	355 x	50 mm



	L	W	D
17-008-001	210 x	160 x	10 mm
17-008-002	240 x	180 x	10 mm
17-008-003	310 x	150 x	10 mm
17-008-003	310 x	210 x	10 mm
17-008-004	350 x	240 x	10 mm
17-008-005	400 x	270 x	10 mm
17-008-006	420 x	280 x	10 mm



17-009-000
ø 200 x 70 mm



17-010-000
235 x 190 x 40 mm

L = Length W = Width D = Depth ø = Diameter

Cotton Wool Containers, Kidney Trays, Solution Bowls



	Ø	x	Height
17-011-001	75	x	60 mm
17-011-002	75	x	75 mm
17-011-003	100	x	60 mm
17-011-004	100	x	100 mm
17-011-005	125	x	80 mm
17-011-006	125	x	125 mm
17-011-007	150	x	150 mm



	L	W	D
17-012-001	170	x 100	x 35 mm
17-012-002	200	x 120	x 35 mm
17-012-003	250	x 140	x 40 mm
17-012-004	275	x 150	x 45 mm
17-012-005	305	x 140	x 50 mm



	Ø	x	D	Capacity
17-013-001	165	x	60 mm	0.75 L
17-013-002	175	x	70 mm	1.0 L
17-013-003	220	x	80 mm	2.0 L
17-013-004	225	x	90 mm	2.5 L
17-013-005	240	x	110 mm	3.0 L
17-013-006	275	x	115 mm	4.5 L
17-013-007	290	x	125 mm	6.0 L
17-013-008	310	x	120 mm	6.0 L
17-013-009	345	x	125 mm	8.5 L
17-013-010	380	x	125 mm	11 L

L = Length W = Width D = Depth Ø = Diameter

Round Bowls, Dressing Jars, Medicine & Sputum Cups



	Ø	x	D	Capacity
17-014-001	167	x	62 mm	0.9 L
17-014-002	200	x	75 mm	1.4 L
17-014-003	230	x	82 mm	2.2 L
17-014-004	261	x	94 mm	3.0 L
17-014-005	292	x	103 mm	4.0 L
17-014-006	328	x	111 mm	5.7 L



	Ø	x	Height
17-015-001	30	x	90 mm
17-015-002	50	x	100 mm
17-015-003	50	x	130 mm
17-015-004	50	x	175 mm
17-015-005	75	x	100 mm
17-015-006	75	x	130 mm
17-015-007	75	x	175 mm
17-015-008	100	x	175 mm
17-015-009	100	x	200 mm



17-016025
25 cc



17-017-050
50 cc



17-018-090
ø 90 x 90 mm, height



17-019-080
ø 80 x 90 mm

L = Length W = Width D = Depth ø = Diameter

Instrument Boxes

Style A



	L	W	D
17-020-001	165 x	90 x	35 mm
17-020-002	200 x	100 x	35 mm
17-020-003	200 x	100 x	50 mm
17-020-004	230 x	130 x	50 mm
17-020-005	260 x	150 x	50 mm
17-020-006	280 x	140 x	60 mm
17-020-007	300 x	200 x	50 mm

Style B



	L	W	D
17-021-001	165 x	90 x	35 mm
17-021-002	200 x	100 x	35 mm
17-021-003	200 x	100 x	50 mm
17-021-004	230 x	130 x	50 mm
17-021-005	280 x	140 x	60 mm
17-021-006	260 x	150 x	50 mm
17-021-007	300 x	200 x	50 mm

Style C



	L	W	D
17-022-001	165 x	90 x	35 mm
17-022-002	180 x	80 x	50 mm
17-022-003	200 x	100 x	35 mm
17-022-004	200 x	100 x	50 mm
17-022-005	230 x	130 x	50 mm
17-022-006	250 x	120 x	60 mm
17-022-007	260 x	180 x	50 mm
17-022-008	280 x	140 x	60 mm
17-022-009	300 x	200 x	50 mm
17-022-010	320 x	150 x	60 mm
17-023-011	360 x	160 x	70 mm

L = Length W = Width D = Depth